

# POST MATERIAL AND SIZE SPECIFICATIONS

## STANDARD POST

IN-GROUND (5525, 5105)

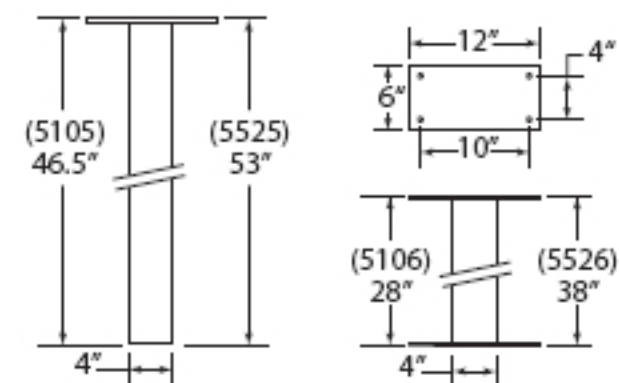
SURFACE MOUNT (5526, 5106)

POST: 2mm (14 gauge) galvanized steel tube

SUPPORT PLATE(S): 1/4" galvanized steel welded to post

FINISH: Fully powder coated

Includes all mounting hardware & instructions (concrete anchors not included)



## BASIC POST ONLY

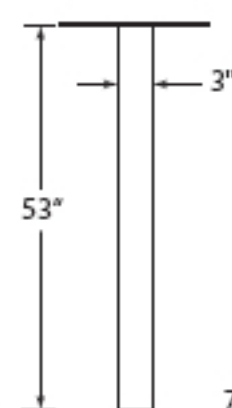
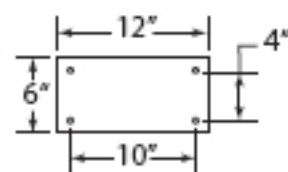
IN-GROUND (7505)

POST: 2mm (14 gauge) galvanized steel

SUPPORT PLATE(S): 1.2mm galvanized steel plate

FINISH: Fully powder coated

Includes all mounting hardware & instructions

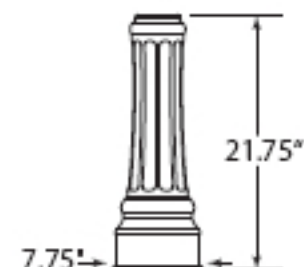


## DECORATIVE POST COVER

COVER: 2mm cast aluminum

FINISH: Fully powder coated

Includes all mounting hardware and instructions. Can easily be added after the mailbox is mounted to the post



## BASIC POST WITH DECORATIVE COVER (7507)

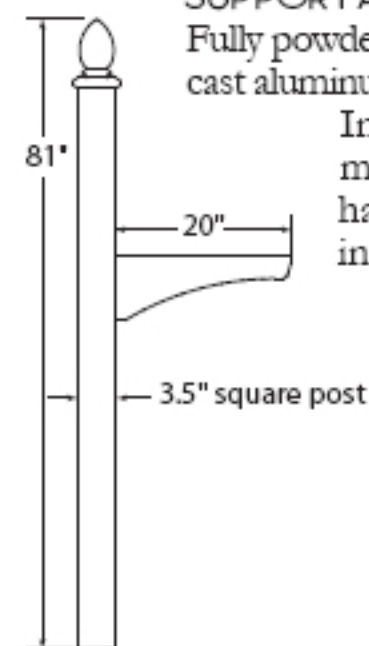
## DECORATIVE POST (5515)

POST: Fully powder coated extruded aluminum

FINIAL: Fully powder coated die cast aluminum

SUPPORT ARM: Fully powder coated cast aluminum.

Includes all mounting hardware & instructions



## GRANDE POST (5565)

POST: 3.5mm (10 gauge) galvanized steel tube

BASE & FINIAL: Die cast aluminum

SUPPORT ARM: Die cast aluminum designed for variable height mounting

Includes all mounting hardware & instructions (concrete anchors not included)

