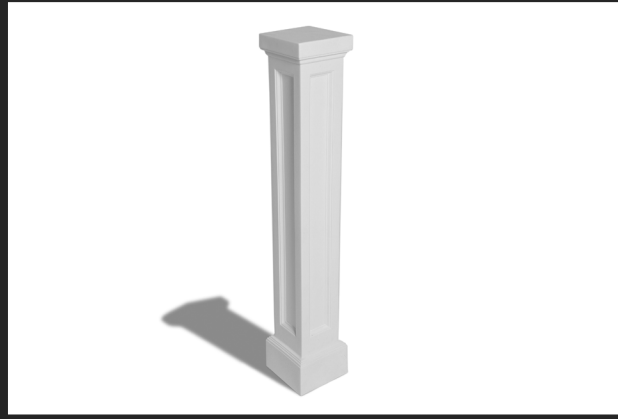


Bradford Pedestal Mail Post

MIS025



PACKAGE CONTENTS: 1x Bradford Pedestal Post

COLORS: Black, Clay, Granite, or White

DIMENSIONS: 7.5" W x 7.5"D x 42" H

IMPORTANT NOTES:

- 4x4 wood post, mailbox, and mailbox mounting hardware NOT included
- Mailboxes can be secured directly on top of the post or secured to a mounting board
- Please refer to local codes for mailbox installation height and setback from the curb.

General Information:

- Read instructions carefully before beginning assembly.
- Do not use excessive force when assembling components.
- To clean this product, for best results use a soap solution and high-pressure water.
- In the event of missing or defective parts, please email info@gomayne.com or call toll free at 866-363-8834.

*Customer Service Available
Weekdays 8am-5pm (EST)*

TOOLS REQUIRED



Shovel



Cordless Drill



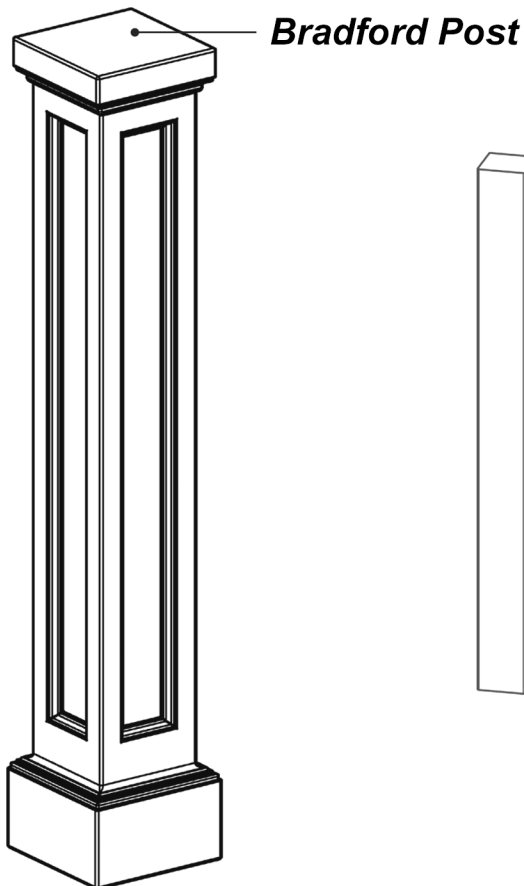
Tape Measure



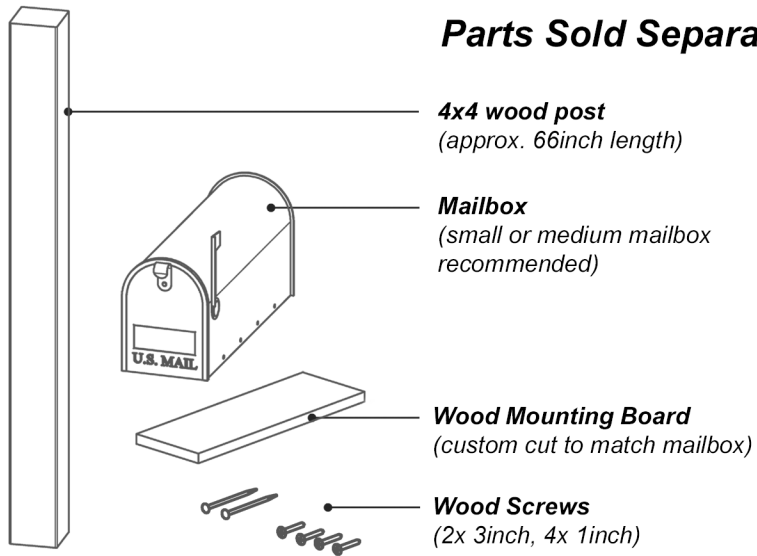
Phillips Bit



Level

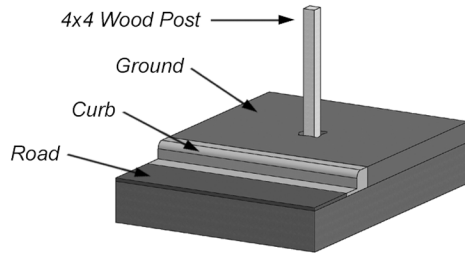


Parts Sold Separately



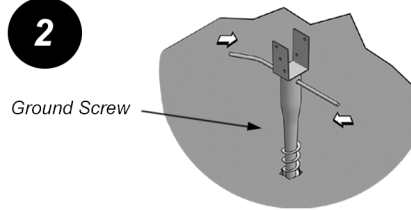
MAYNE[®]
Outdoor Products of Distinction
www.gomayne.com

1



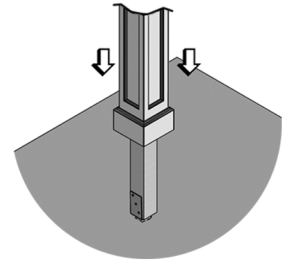
Dig a 24" deep hole in the desired location and insert a 4x4 wood post. Leave 42" exposed above ground. Fill in the hole with pre-mix concrete (not included) and level the wood post. Allow time for the concrete to cure.

2

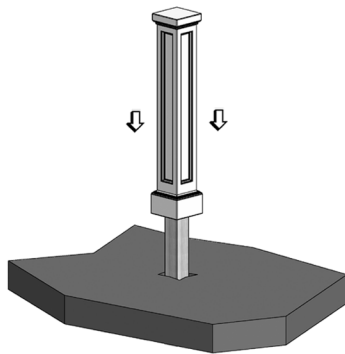


Optional Mayne "No-Dig" Ground Screw:

Twist the screw into the ground and attach a 4x4 post with the five lag bolts provided (approx. 39.5" length of 4x4 required, not included). Slide the decorative post over the 4x4.

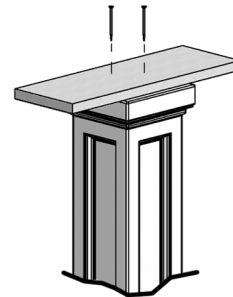


3



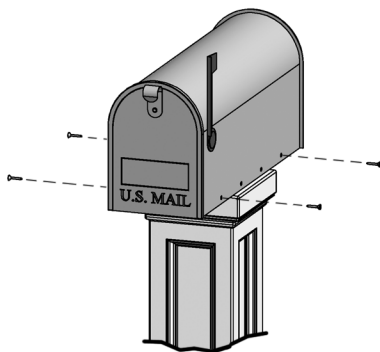
Slide the Bradford pedestal post over the 4x4 wood post. Make sure the post sits flush on top and keep it centered over the 4x4.

4



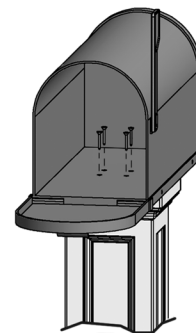
Center the wood mounting board on top of the post and secure in place with two 3 inch wood screws (mounting board and screws not included). Universal mounting boards are available at the local hardware store or you can cut a piece of plywood to match the size of your mailbox.

5



Set the mailbox on the mounting board. Secure in place using four 3/4 inch wood screws (mailbox and screws not included)

6



Alternative Installation: Center the mailbox on top of the Bradford post and secure 4 screws through the floor of the mailbox directly into the 4x4 inside. You may need to pre-drill holes to ensure the screws are aligned with the 4x4.